

# ROASTER SERIES MAESTRO

DRUM ROASTER WITH UNIQUE ROASTING PROFILE FLEXIBILITY



More than a drum – The MAESTRO combines traditional drum roasting with the proven properties of the RFB roasting technology. The CONDUX damper system allows the ratio of convective and conductive energy input to be variably controlled. New design solutions for energy transfer management and advanced software tools such as PROFILE DESIGNER, DARK ROAST and TRIPLE-A enable a wide range of roasting profiles that goes well beyond the conventional range.

With throughputs of up to 3000 kg/h, the MAESTRO is designed for large capacities. A special paddle geometry in the drum ensures homogeneous qualities both within the individual batches and over the entire production cycle.

The roaster is equipped with generously dimensioned maintenance flaps in all areas. The unique swivel mechanism of the drum front section provides optimum access into the drum for inspection.

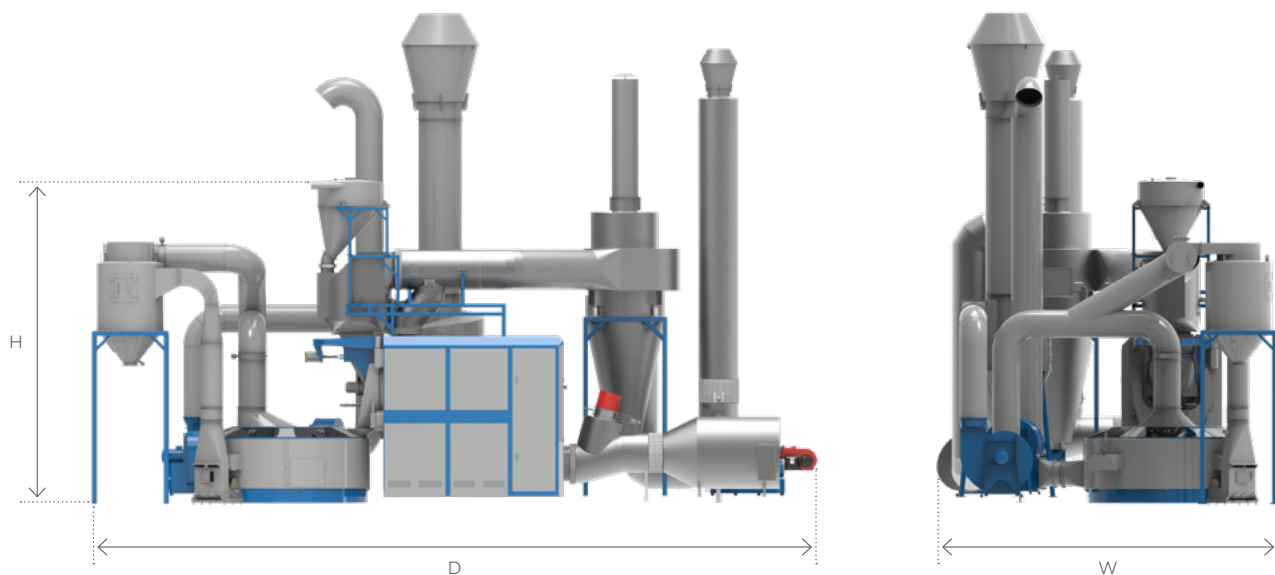
Further optional extension variants such as green coffee preheating and advanced exhaust gas cleaning systems ensure sustainable and energy-efficient operation, tailored to your individual requirements.

## Technical features

- Double-walled drum with special paddle geometry for homogeneous roasting results
- Unconventional insulation technology for higher temperature dynamics in roasting profile design
- CONDUX damper system for precisely controlled hot air flow through the drum
- External burner in the hot gas circuit for optimum heat transfer
- Generously dimensioned cooler for high cooling speed
- On-site operation with large touch panel

## Options

- Coupled air lift destoner
- Preheating device for capacity increase
- DARK ROAST package including CO monitoring for extremely dark roasts
- Additional visualisation for process control station



Designation	Dimensions (mm) W × D × H	Batch size (kg)	Roasting capacity (kg/h)
MAESTRO 3000	7800 × 16500 × 7300	450 – 660	3000



Directly to our website:  
Scan the QR code now

**NEUHAUS NEOTEC Maschinen- und Anlagenbau GmbH**  
Germany · [info@neuhaus-neotec.de](mailto:info@neuhaus-neotec.de) · [neuhaus-neotec.com](http://neuhaus-neotec.com)