

COFFEE GRINDER WMS FOR SMALL CAPACITIES

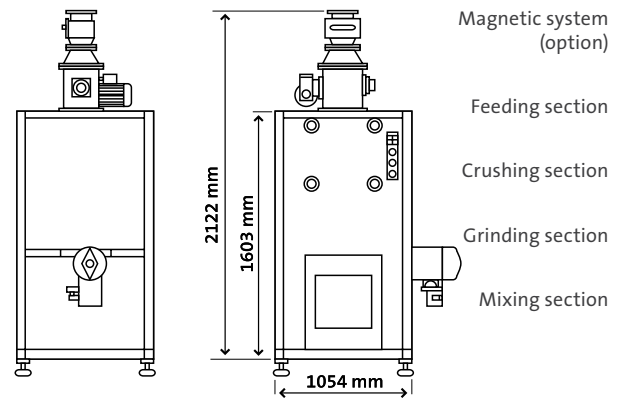


COFFEE GRINDER WMS

- »One, two, or three sections
- »Simple roller change
- »Central drive

Technical features:

- One, two, or three-stage, phased grinding
- Central drive for crusher, grinding section and mixer / compactor
- Central drive via poly-V-belt and double sided timing belt
- Mixer with compactor for chaff crushing and densification
- Compactor continuously adjustable
- Uniform particle size distribution for espresso as well as for filter and instant product grinding
- Dust-tight design
- Sound insulation of the complete grinder



The coffee grinders of the WMS series have been designed especially for small capacities.

Technical data:

Roller diameter	200 mm
Effective roller length	200, 400
Power installation	7,5 to 30,0 kW

	Grinds	Mixer / compactor	Roller length (mm)	Capacity abt* (kg/h)												
				1	2	3	0	250	500	750	1000	1250	1500	1750	2000	
WMS 22	•	•	200			300	500									
WMS 23		•	200			400	650									
WMS 21 I	•		200			600										
WMS 22 I	•		200			700										
WMS 42	•	•	400			600	1000									
WMS 43		•	400			800	1300									
WMS 41 I	•		400			1200										
WMS 42 I	•		400			1400										

*Depending on roasting, temperature, fineness of grinding and moisture

■ Espresso ■ Filter fine ■ Instant