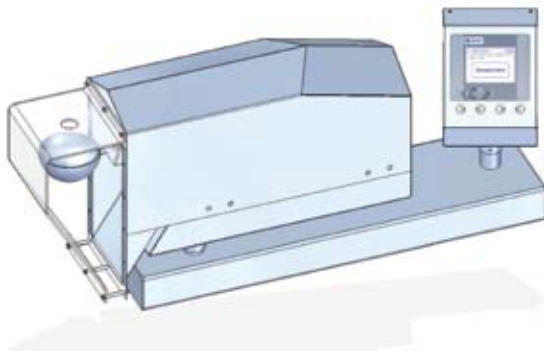


DENSECONTROL ONLINE DENSITY CONTROL MEASUREMENT



DENSECONTROL

The device is used for product withdrawal and weighing of a defined volume in the running process.
The resulting bulk density can be used to control and regulate the upstream processes.



General information

- For different applications and processes with bulk materials (e.g. ground coffee)
- Simple operation and handling of the device
- Very accurate measuring results due to the highly precise weighing technology
- Appealing design combined with solid construction

Control system

- Independent control system with touch-panel ensuring safe automatic operation or also manual operation.
- Data transfer can be realized analogously or digitally via Ethernet, FTP, or RS485 interface.
- Administration and operation are also possible via web browser.
- Log files with weight specifications as well as date and time can be saved and retrieved from an integrable SD card.
- Configurable access authorizations for operation.
- It is possible to transfer the data from the integrated SD card via the USB interface integrated in the front side of the touch panel.

